



MICRO SWITCH

FREEPORT ILLINOIS
A DIVISION OF HONEYWELL

FED. MFG. CODE 91929

SWITCH-BASIC

CATALOG LISTING

V3-1001

MILITARY STDS PARTS NO.
MS 25253-1

CK-L0100

V3-1001

M

DRAWING NUMBER

X	9
Y	8
ISSUE	8

REPLACES

RELEASE NO. SR 10660

CHECK

7, DEC '67

BRJ

CHECK

7, DEC '67

BRJ

CHECK

27, AUG '69

BRJ

CHECK

12, FEB '70

BRJ

CHECK

31, JAN '79

BRJ

CHECK

23, SEP '94

BRJ

CHECK

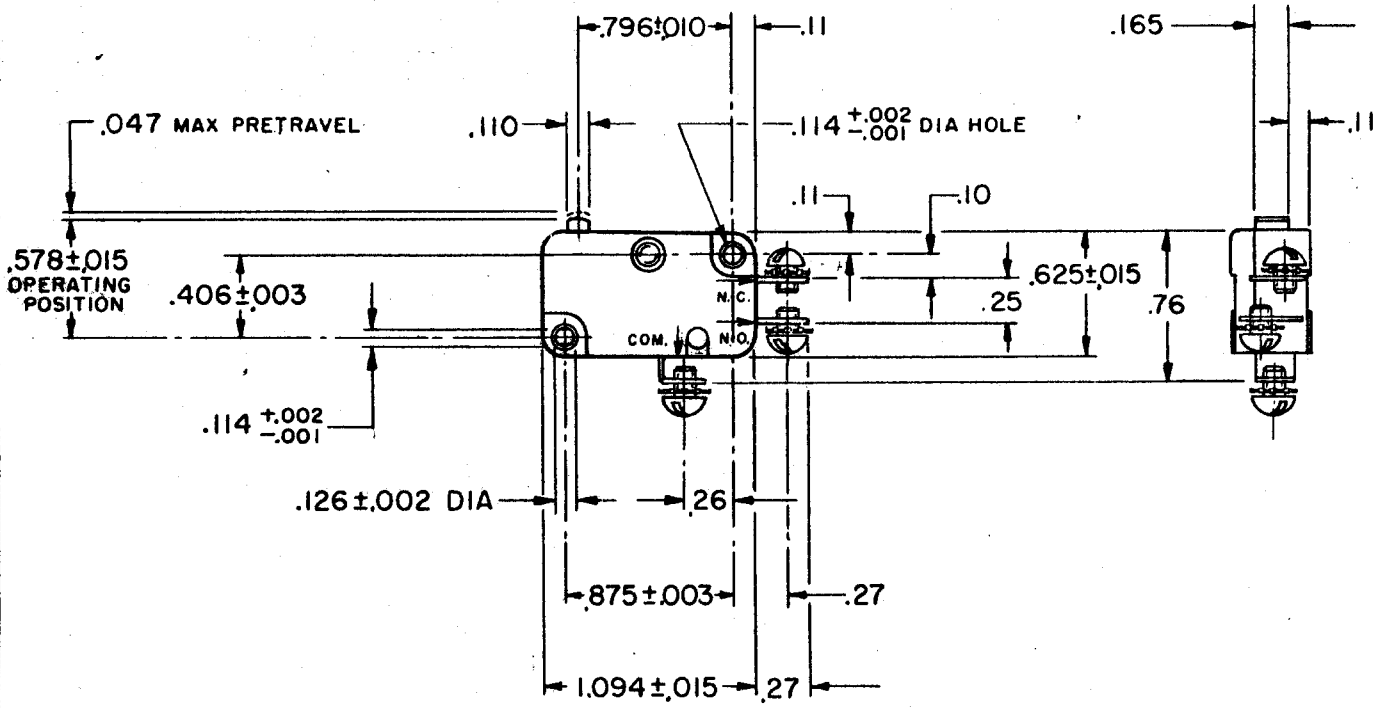
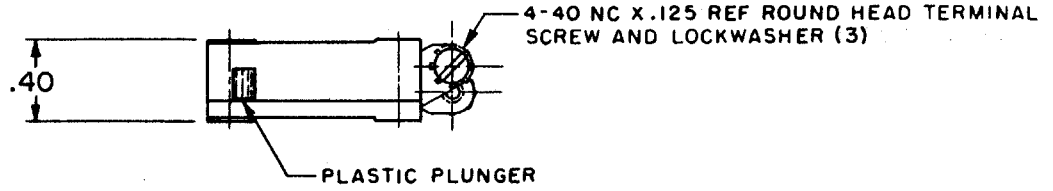
6, DEC '62

BRJ

CHECK

6, DEC '62

BRJ



- NOTES
- 1 - MARK "MS-25253-1" AND SOURCE CODE "91929" ON SWITCH AND LABEL OF PACKING BOX
 - 2 - MARK SWITCH WITH CATALOG LISTING AND DATE CODE

THIS DRAWING COVERS A PROPRIETARY ITEM AND IS THE PROPERTY OF MICRO SWITCH, A DIVISION OF MINNEAPOLIS-HONEYWELL REGULATOR CO. THIS DRAWING IS NOT TO BE COPIED OR USED WITHOUT THE APPROVAL OF MICRO SWITCH.

CHARACTERISTICS	
OPERATING FORCE	----- 6-14 OZ
RELEASE FORCE	----- 4 OZ MIN
RELEASE TRAVEL	----- .010 MIN
DIFFERENTIAL TRAVEL	----- .006-.016
OVERTRAVEL	----- .040 MIN
FREE POSITION	----- .625 MAX

ELECTRICAL DATA	
CONTACT ARRANGEMENT S P D T	

SCALE FULL		
DO NOT SCALE PRINT		
UNLESS OTHERWISE SPECIFIED DIMENSIONS ARE IN INCHES		
TOLERANCES ARE:		
ONE PLACE	(.0)	±.030
TWO PLACE	(.00)	±.015
THREE PLACE	(.000)	±.005
ANGLES		±
WEIGHT 9.1 GRAMS		

REVISIONS	
A	CO20189 WEG 17 AUG 65
B	CO21908 L E B 15 AUG 67
C	CO24941 M B S 3 DEC 68
D	CO26075 M B S 27 AUG 69
E	CO26943 S R H 12 FEB 70
F	CO48436 D J W 31 JAN 79
G	CO76499 DCS 6 JAN 94
H	CO78754 DCS 23 SEP 94

FO-50378

DRAWN

LMH 6 DEC 62